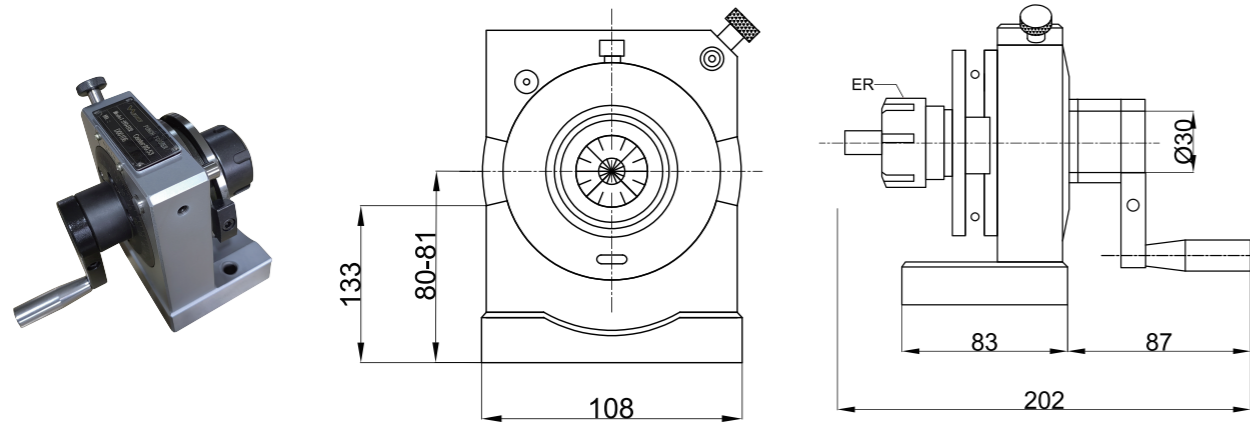


筒夹式ER冲子成型器PFD

ER COLLET PUNCH FORMER PFD



产品特性 /Product Features

- 1.筒夹式冲子成型器附有5个ER筒夹。
- 2.本机可快速且稳固的夹持工作，加工时可更稳定的使用，且不必调整中心度即可使用。
- 1. The collet punch forming is equipped with 5 ER collets.
- 2. This punch former can perform fast and stable clamping work, and can be used more stably during processing without adjusting the center degree.

ER筒夹标准公差

ER COLLET STANDARD TOLERANCE

L	D	精度accuracy
6	1.0-1.6	0.015
10	1.6-3.0	0.015
16	3.0-7.0	0.015
25	7.0-10.0	0.015
40	10.0-18.0	0.020
50	18.0-24.0	0.020
60	24.0-34.0	0.020

手转工具万力 (VSD)

TOOL MAKER VISE (VSD)

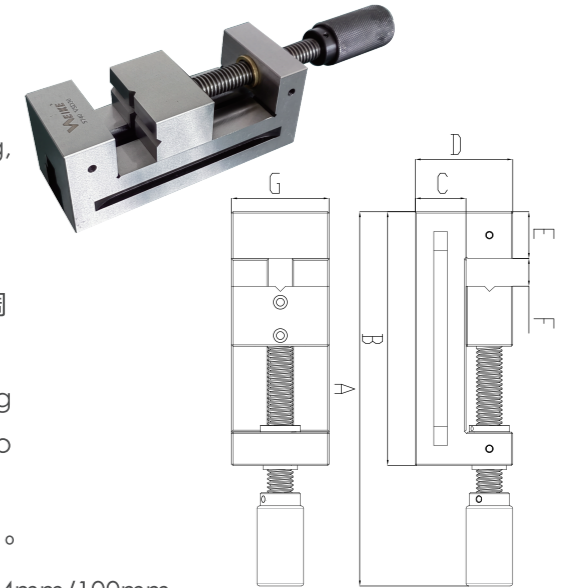
产品用途 /Product Application

可用于各种用途的高精密加工研磨、切削、电火花等。
It can be used for high-precision machining, grinding, cutting, electric discharge, and other purposes.

产品特性 /Product Features

手动工具万力采用新的设计，使夹紧及松开间隙减到最小且可调整。螺杆如有磨损，易于拆装替换方便。
Adopting a new design to minimize and adjust clamping and loosening gaps. If the screw is worn, it is easy to disassemble and replace.

- 硬度: HRC52° ~58°
- 平行度: 0.004mm/100mm内
- 垂直度: 0.006mm/100mm内
- Hardness: HRC52 °~58 °
- Parallelism: within 0.004mm/100mm
- Verticality: within 0.006mm/100mm



型号 Model	A	B	C	D	E	F	G	重量 (kg)
VSD-20	205	156	27	52	25	0~63	48	2.3
VSD-25	226	176	33	63	30	0~73	63	4.0
VSD-30	260	190	38	73	35	0~76	73	5.5
VSD-35	320	250	40	80	40	0~120	89	10.0
VSD-40	325	255	42	82	40	0~120	98	11.0
VSD-50	390	310	50	100	50	0~152	125	18.3
VSD-60	425	325	50	100	50	0~165	150	20.0
VSD-80	450	350	55	110	45	0~195	200	34.0

手转工具万力 (VS)

TOOL MAKER VISE (VS)

- 硬度: HRC52°~58°
- 平行度: 0.003mm/100mm内
- 垂直度: 0.005mm/100mm内
- Hardness: HRC52 °~58 °
- Parallelism: within 0.003mm/100mm
- Verticality: within 0.005mm/100mm

型号 Model	A	B	C	D	E	F	G	重量 (kg)
VS-30	-	190	34	69	35	0~100	73	4
VS-60	-	330	50	100	50	0~180	150	20
VS-80	-	360	55	110	55	0~205	200	33

